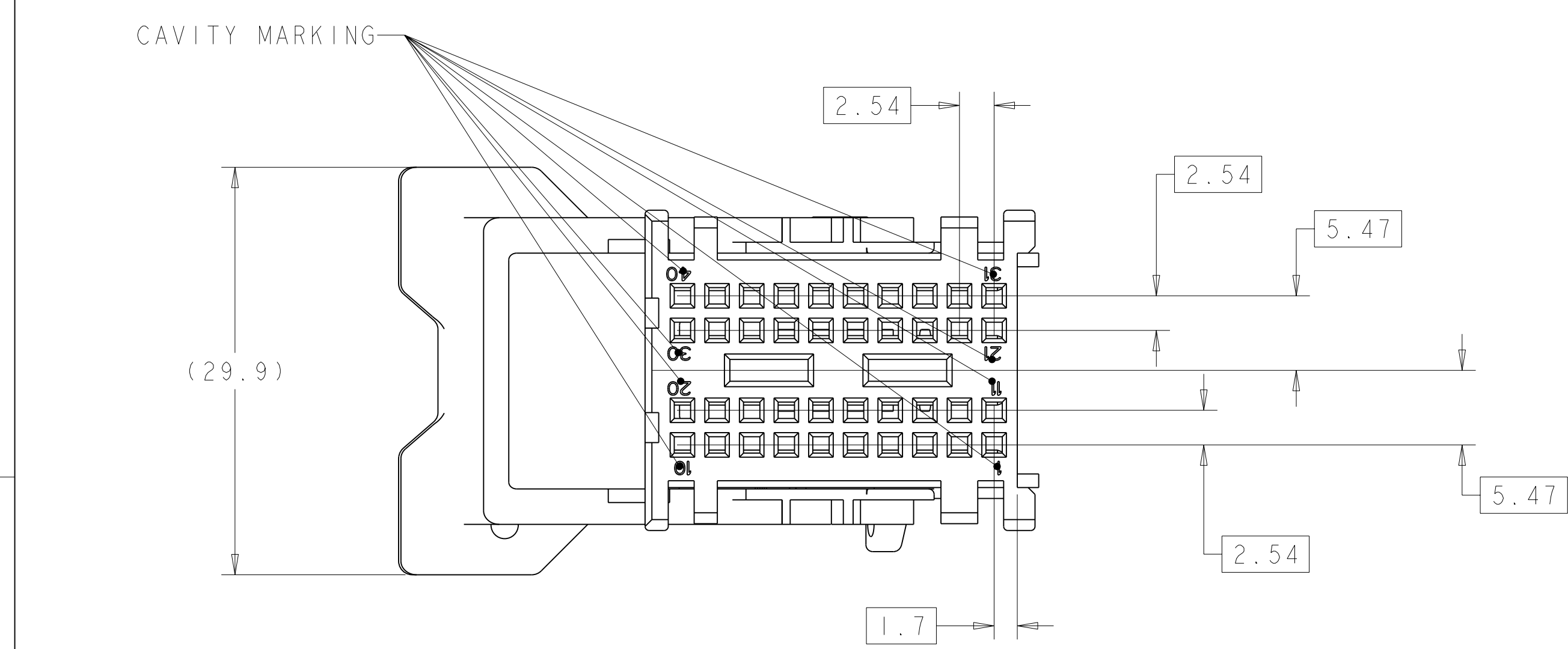
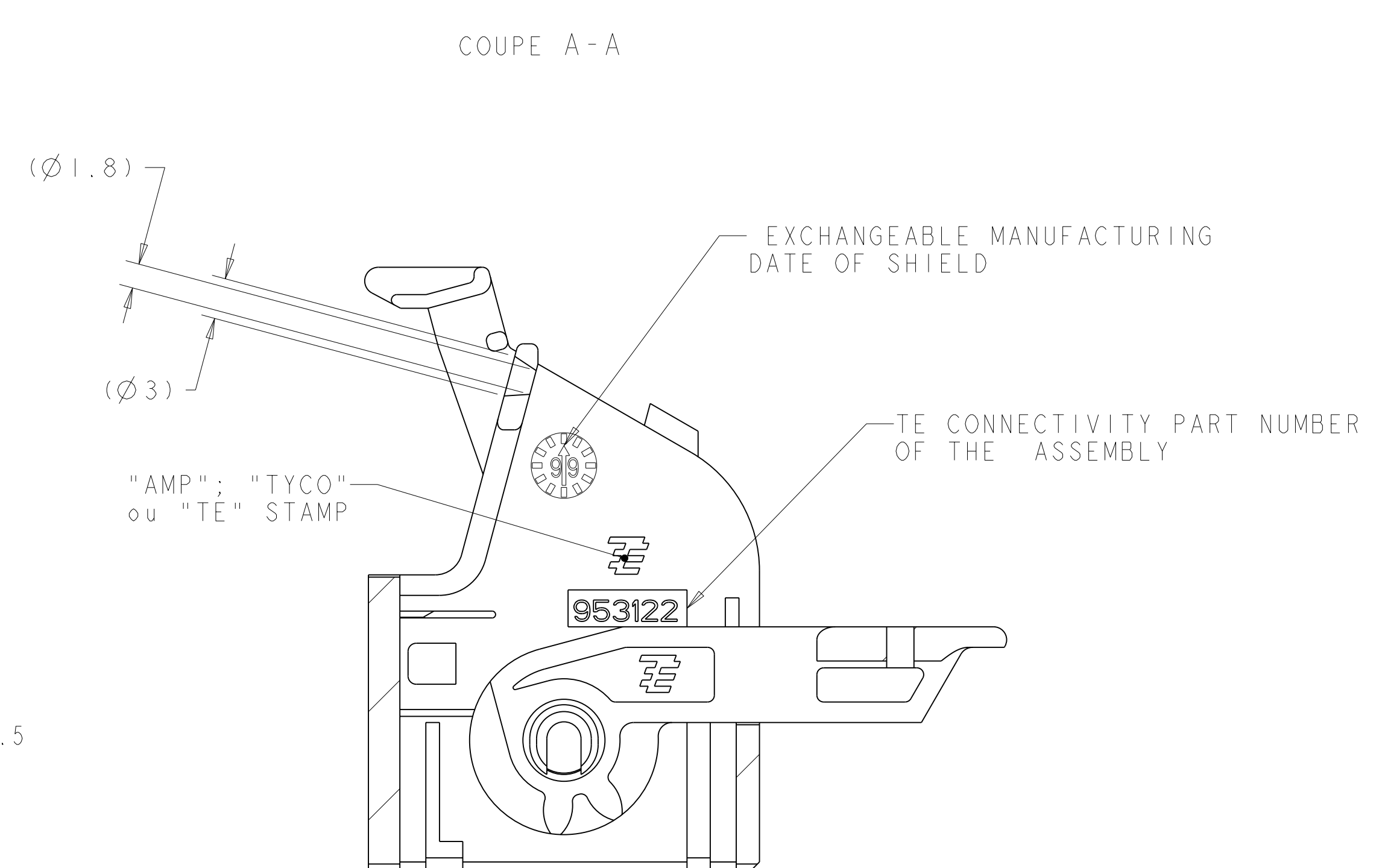
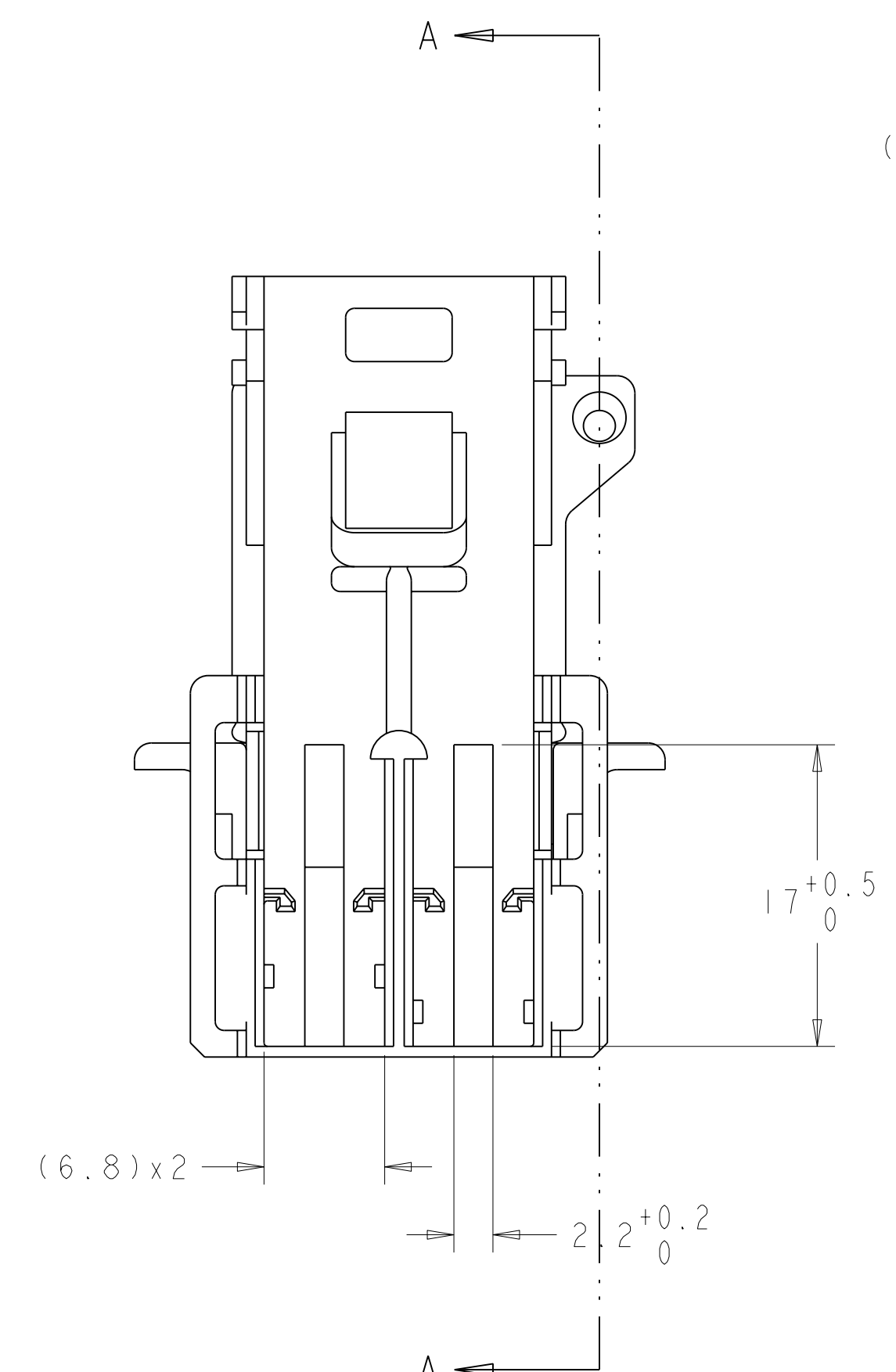
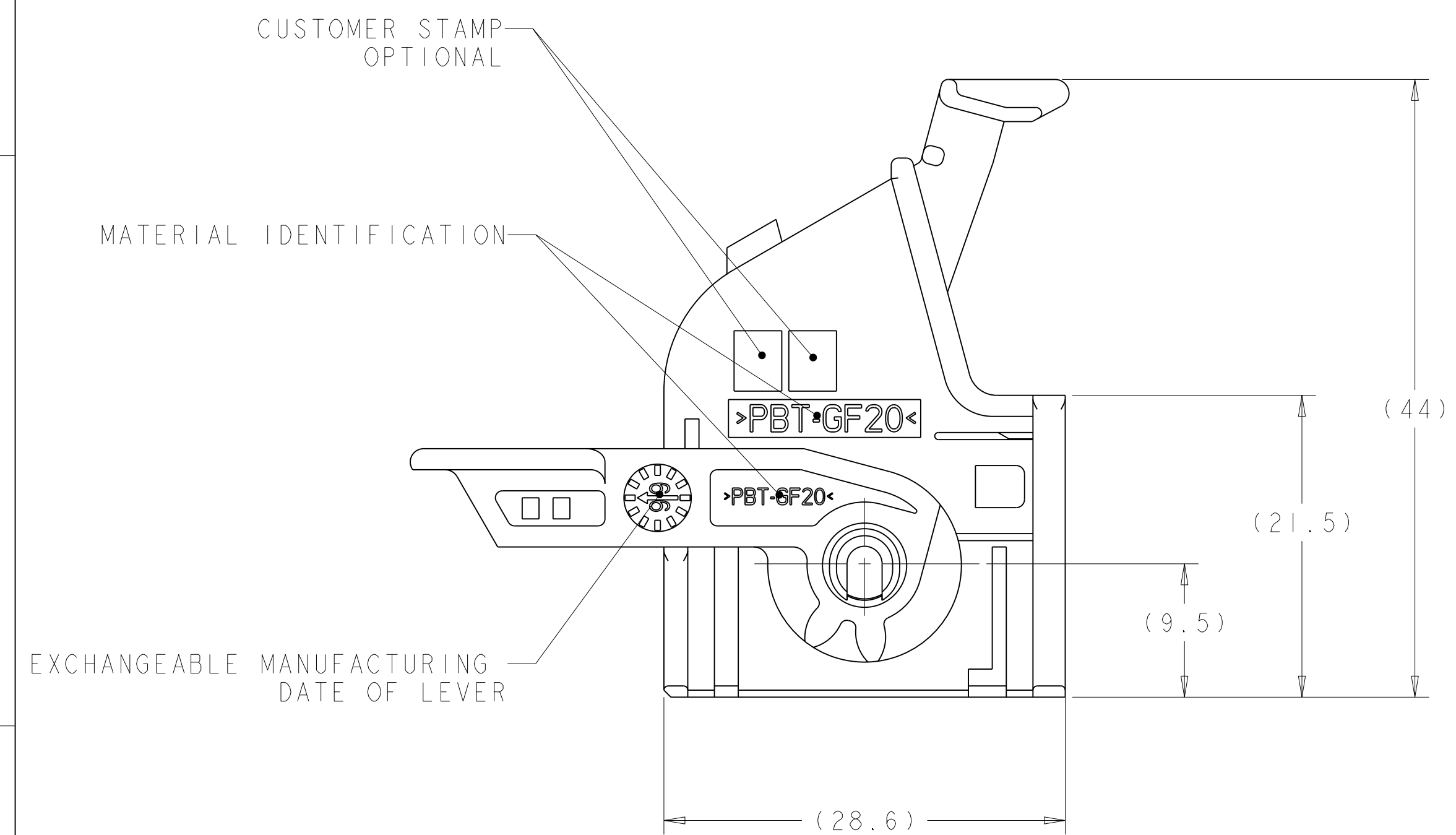
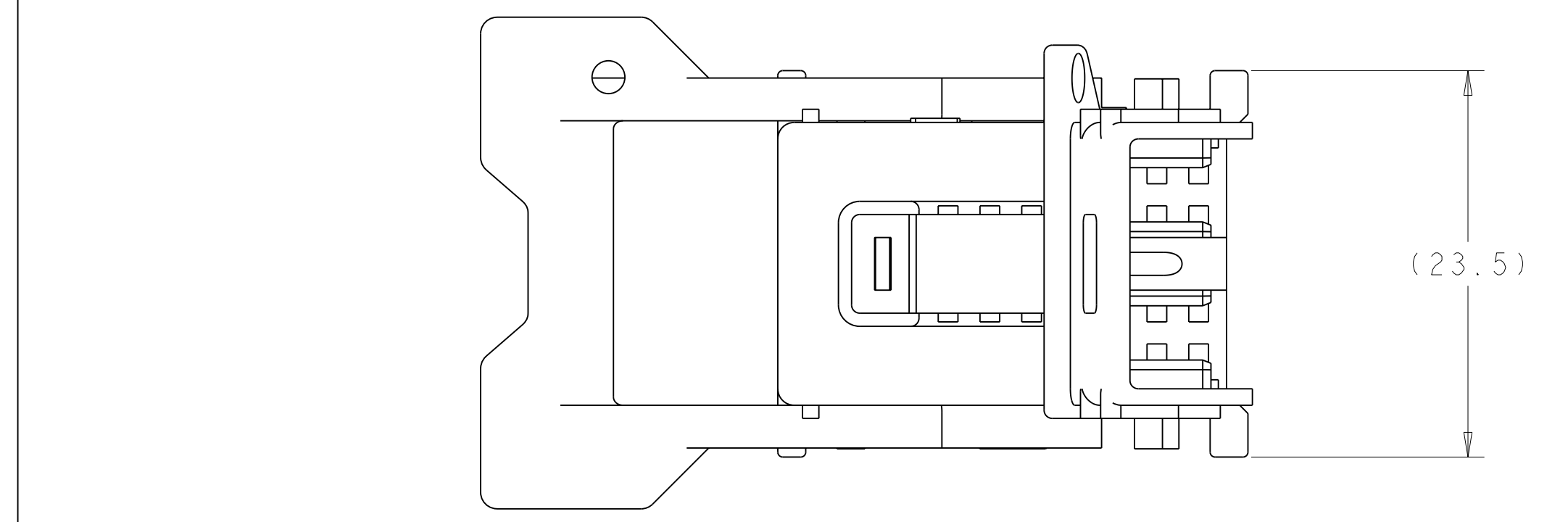


LOC		DIST		REVISIONS			
F	00	P	LTR	DESCRIPTION	DATE	DWN	APVD
		REV		MODIFICATIONS		DESS	APP
		A1		REVISED PER ECO-11-005150	28MAR2011	RK	HMR



Nota:  
 PARKAGING FOLLOWING SPEC TE CONNECTIVITY: 107-18078 and 107-15368  
 PART TO USE WITH:  
 SOCKET HOUSING 20 WAYS BROWN REF 953119-3  
 SOCKET HOUSING 20 WAYS GREEN REF 953119-1  
 CONTACT MQS REF /144969-X; 1379418-X; 1379419-X  
 NUMBER MAXI OF WIRE PERMITTED:  
 40 WIRES SECTION 0.75mm<sup>2</sup> (Ø maxi insult 1.9mm)  
 RECOMMANDATION SPEC: 411-15597

THIS DRAWING IS A CONTROLLED DOCUMENT. CE PLAN EST UN DOCUMENT CONTROLÉ PAR AMP INCORPORATÉ. IL EST INTERDIT DE LE REPRODUIRE, COMMUNIQUER OU SERVIR. TOUTES LES MODIFICATIONS DOIVENT ÊTRE ENREGISTRÉES.		DWN/DESSINE: 08FEB2005 M. POLIFONTE	TE Connectivity
DIMENSIONS: mm		CHK/VERIFIE: 09FEB2005 X. ROULLARD	
TOLERANCES, UNLESS OTHERWISE SPECIFIED: DECIMALS: ±0.2		APVD/APPROUVE: 09FEB2005 J. DABEZ	NAME/TITRE: ASSEMBLY COVER 40 WAY MQS CABLE-LOCKING AT 15 DEG.
MATERIAL/MATIERE: PBT GF 20		PRODUCT SPEC: 108-15178	SIZE/FORMAT: A1
FINITION: -		APPLICATION SPEC: -	CAGE CODE: -
WEIGHT/MASSE APPROX: 8.9gr		UNIQUEMENT POUR REFERENCE	SCALE/ECHELLE: 2:1
CUSTOMER DRAWING		/PLAN CLIENT	SHEET/FEUILLE: 1 DE 2

LOC	DIST	REVISIONS						
F	00	P	LTR	REV	DESCRIPTION	DATE	OWN	APVD
					SEE SHEET 1			

953122-1	SHIELD	2	1	BLACK	PBT GF 20	<p>8.4 ± 0.1 ECHELLE 3:2</p>	953122-5	SHIELD	2	1	BLACK	PBT GF 20	<p>8.4 ± 0.1 2.7 +0.1 / -0.2 ECHELLE 3:2</p>
	LEVER	1	1	BLACK	PBT GF 20			LEVER	1	1	BLACK	PBT GF 20	
953122-2	SHIELD	2	1	GREY	PBT GF 20	<p>1.7 ± 0.1 11.2 ± 0.1 ECHELLE 3:2</p>	953122-6	SHIELD	2	1	GREY	PBT GF 20	<p>2.7 +0.1 / -0.2 1.7 ± 0.1 11.2 ± 0.1 ECHELLE 3:2</p>
	LEVER	1	1	BLACK	PBT GF 20			LEVER	1	1	BLACK	PBT GF 20	
953122-3	SHIELD	2	1	WITHE	PBT GF 20	<p>1.2 ± 0.1 1.7 ± 0.1 ECHELLE 3:2</p>	953122-7	SHIELD	2	1	WITHE	PBT GF 20	<p>2.7 +0.1 / -0.2 11.2 ± 0.1 1.7 ± 0.1 ECHELLE 3:2</p>
	LEVER	1	1	BLACK	PBT GF 20			LEVER	1	1	BLACK	PBT GF 20	
953122-4	SHIELD	2	1	BLUE	PBT GF 20	<p>5.6 ± 0.1 1.7 ± 0.1 ECHELLE 3:2</p>	953122-8	SHIELD	2	1	BLUE	PBT GF 20	<p>5.6 ± 0.1 2.7 +0.1 / -0.2 1.7 ± 0.1 ECHELLE 3:2</p>
	LEVER	1	1	BLACK	PBT GF 20			LEVER	1	1	BLACK	PBT GF 20	
TE CONNECTIVITY PART NUMBER	COMPONENT	Rep	Q.	COLOR	MATERIAL	CODING	TE CONNECTIVITY PART NUMBER	COMPONENT	Rep	Q.	COLOR	MATERIAL	CODING

THIS DRAWING IS A CONTROLLED DOCUMENT. CE PLAN EST UN DOCUMENT CONTROLÉ PAR APP INCORPORATED. IL EST INSÉPARABLE DE CE PLAN. CONSTATEZ LE SERVICE TECHNIQUE S'IL Y A UN CHANGEMENT POUR OBTENIR LA DERNIÈRE RÉVISION.		DWN/BESSINE 08FEB2005 M. POLIFONTE CHK/VERVILLE 09FEB2005 X. ROUILLARD		TE Connectivity	
DIMENSIONS: mm		TOLERANCES, UNLESS OTHERWISE SPECIFIED: mm: ±0.2 mm: ±0.1 mm: ±0.05 mm: ±0.025 mm: ±0.015 mm: ±0.01 mm: ±0.005 mm: ±0.0025 mm: ±0.0015 mm: ±0.001		APVD APPROUVE J. DAHER 09FEB2005 NAME: X. ROUILLARD TITLE: ASSEMBLY COVER 40 WAY MOS CABLE-LOCKING AT 15 DEG.	
MATERIAL MATIÈRE: PBT GF 20		FINISH FINITION: -		WEIGHT MASSE APPROX: 8.9gr CUSTOMER DRAWING /PLAN CLIENT	
FORMA: A1		CAGE CODE: 100779		DRAWING NO: 953122 RESTRICTED TO RESERVÉ A	
SCALE: 2:1		SHEET: 2 OF 2		REV: A1	